

*Discovery of Minor Planet (128).* By J. C. Watson, Esq.*(From a Letter to the Astronomer Royal.)*

I have the honour to send you the following observations of a new Minor Planet (128), discovered by me:—

	Ann Arbor M.T.			R.A.			Decl.		
	h	m	s	h	m	s	°	'	"
1872, Nov. 25	9	49	31	4	21	44.92	+19	34	16.2
25	10	21	51	4	21	43.44	19	34	19.9
25	10	47	14	4	21	42.65	19	34	18.0
26	11	9	4	4	20	40.72	+19	34	39.7

Magnitude 9.5.

*Ann Arbor, Nov. 30, 1872.*


---

*Extract of a Letter from N. R. Pogson, Esq., Madras Observatory, to the Astronomer Royal, dated Dec. 5, 1872.*

Biela's Comet is my subject this time. A startling telegram from Prof. Klinkerfues on the night of Nov. 30th ran thus, "*Biela touched Earth on 27th: search near Theta Centauri.*"

I was on the look-out from comet-rise (16<sup>h</sup>) to sunrise the next two mornings, but clouds and rain disappointed me. On the third attempt, however, I had better luck. Just about 17<sup>1</sup>/<sub>4</sub><sup>h</sup> mean time, a brief blue space enabled me to find *Biela*, and though I could only get four comparisons with an anonymous star, it had moved forward 2.5 in four minutes, and that *settled* its being the right object. I recorded it as—"Circular; bright, with a decided nucleus, but no tail, and about 45" in diameter." This was in strong twilight. Next morning, Dec. 3rd, I got a much better observation of it; seven comparisons with another anonymous star; two with one of our current Madras Catalogue Stars, and two with 7734 Taylor. This time my notes were,—“Circular; diameter 75"; bright nucleus; a faint but distinct tail, 8' in length and spreading, a position angle from nucleus about 280°." I had no time to spare to look for the other comet, and the next morning the clouds and rain had returned.

If I get another view before posting this I may be able to add a hasty postscript. The positions, the first rough, the second pretty fair from the two known stars, are,—

	Madras M.T.			R.A.			(Apparent) P.D.		
	h	m	s	h	m	s	°	'	"
Dec. 2	17	33	21	14	7	27	124	46	
3	17	25	17	14	22	2.9	125	4	28

---

ERRATA.

Vol. xxxiii, page 21, line 22, *for* exceed five, *read* approach three.

— — , — 28, 8 lines from bottom, *for* xxv., *read* xxiv.

— — , — 33, line 33, *for* quite obvious, *read* not quite obvious.

Fig. 8.

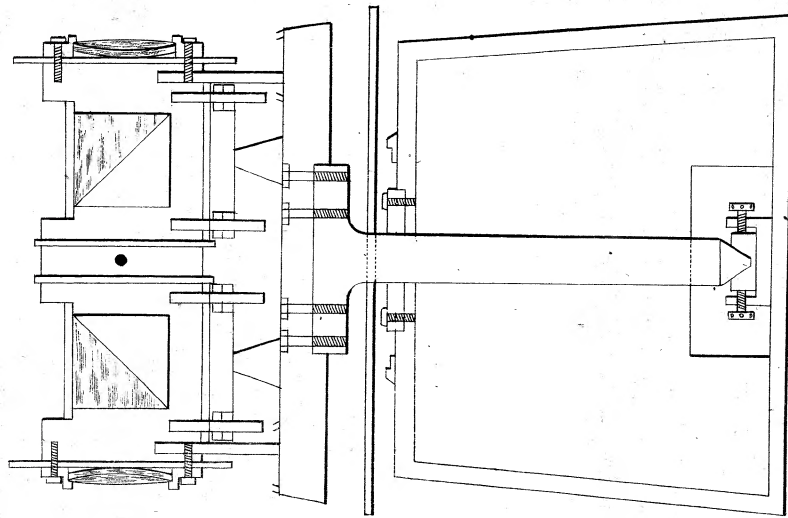


Fig. 9.

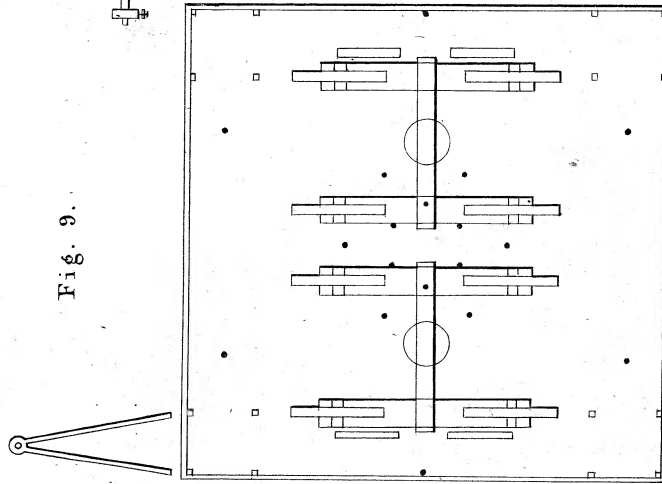
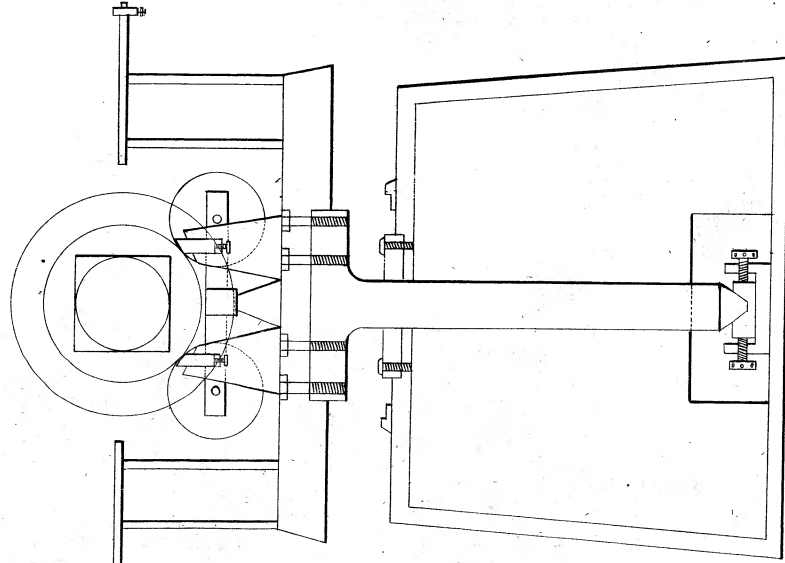


Fig. 10.



A PROPOSED DOUBLE ALTAZIMUTH.

Fig. 5.

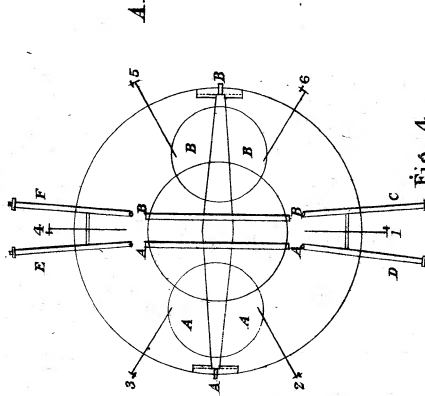
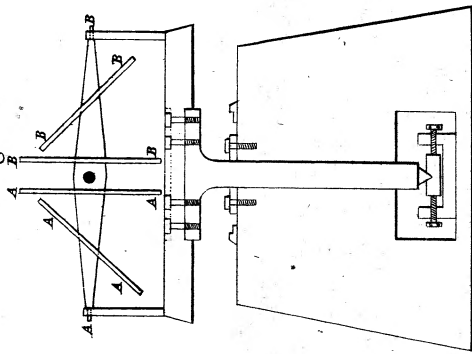


Fig. 4.



\*\*

Fig. 2.

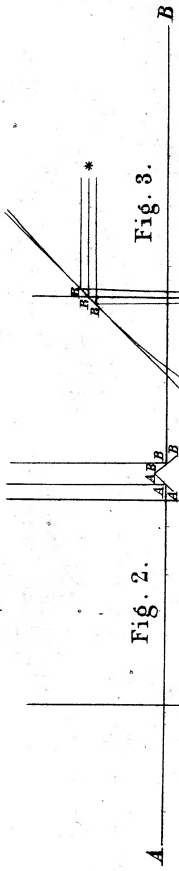


Fig. 3.

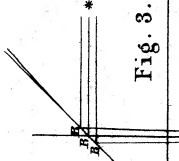


Fig. 1.

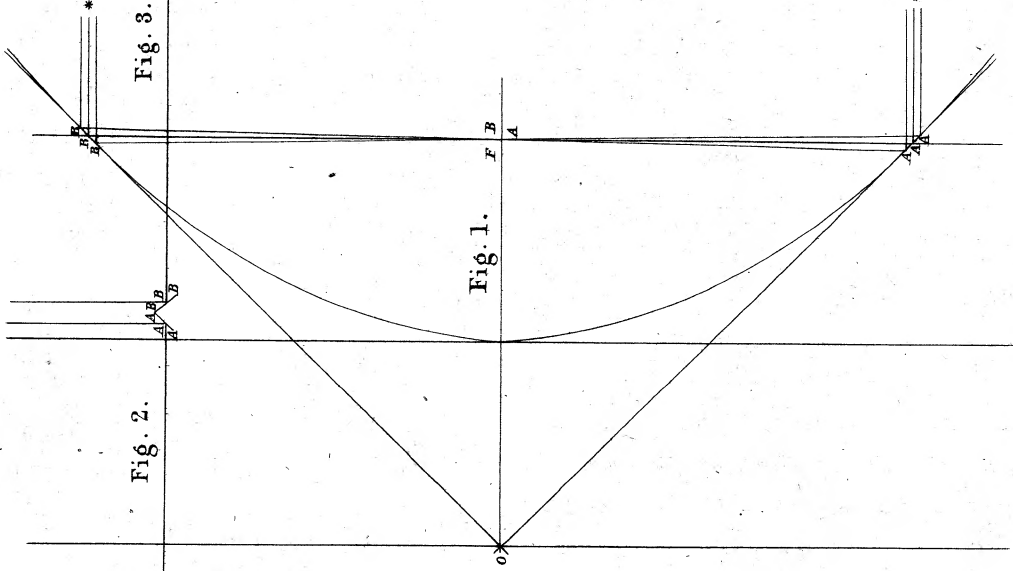


Fig. 6.

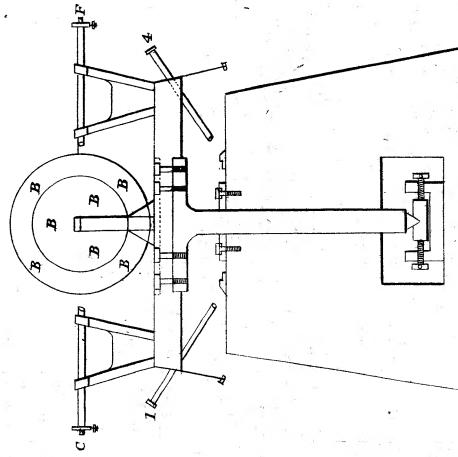
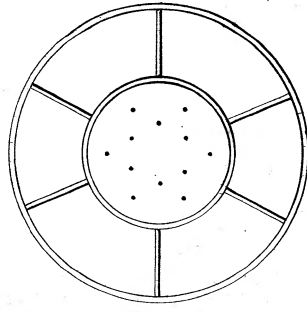


Fig. 7.



A PROPOSED DOUBLE ALTAZIMUTH.